



SUA-110M36x-x-S236

Shell Material :

Blank : BRASS

I : SPCC

Color :

White : W

Black : B

SPECIFICATIONS

Electrical:

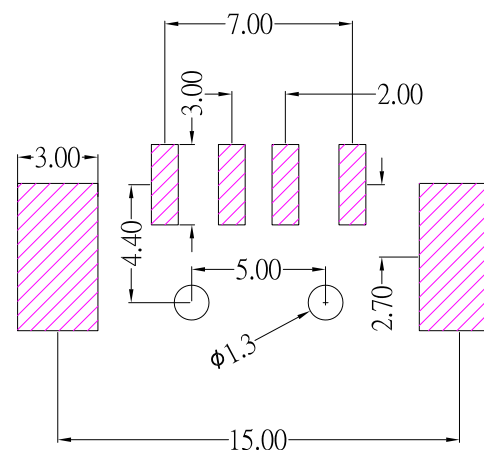
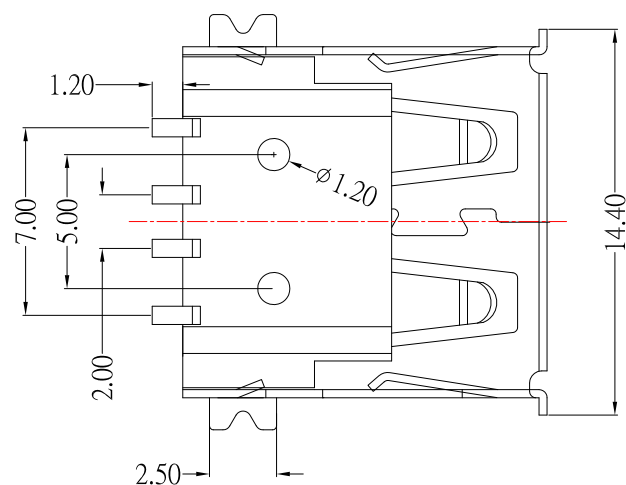
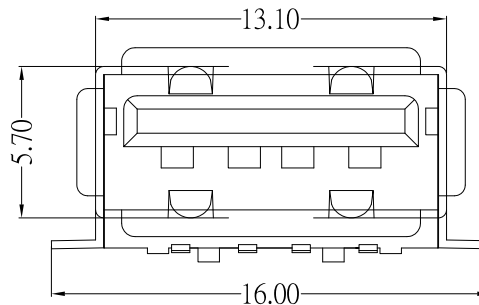
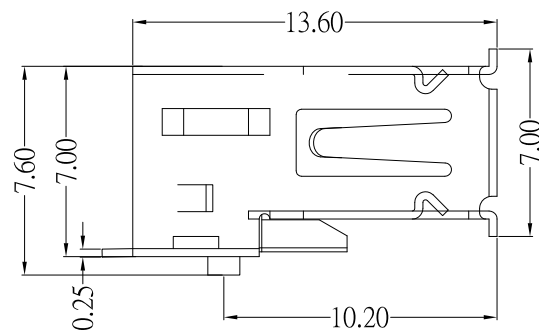
- 1.Contact Resistance: 30 mΩ Max
- 2.Insulation Resistance: 1,000 MΩ Min
- 3.Dielectric Withstanding Voltage: 500 V AC

Material:

- 1.Housing: LCP
- 2.Contact: Brass
- 3.Shell: Brass / SPCC

Finish:

- 1.Contact: Plated Gold in Mating Area ;
Tin Plated on Solder Balls ;
Nickel under plated overall
- 2.Shell: Nickel under Plated surface layer



RECOMMENDED PCB LAYOUT

CONTACT 建倚科技股份有限公司
CONTACT TECHNOLOGY CORP.

TOLERANCE UNLESS OTHERWISE STATED :

Up to 5 ±0.2
Above 5 ~ 15 ±0.3
Above 15 ~ 30 ±0.4
Above 30 ~ 50 ±0.5
Angle ±0.3

3RD. ANGEL'S



UNITS MM

DRAWN BY: Jack Lu
CHECKED BY: Jacky Chen
APPROVED BY: Tony Kao

DATE: 02/14/22
DATE: 02/14/22
DATE: 02/14/22

MAT'L		TITLE	CONNECTOR
FINISH		MODLE	USB AF SMT 外殼魚叉腳貼板 有捲邊 有柱1.2mm
SCALE	1 : 1	DWG NO.	SUA-110M36x-x-S236
SHEET NO.	1 of 1	PART NO.	SUA-110M36x-x-S236

2	更新Contact材質	Jack	021422
1	新增尺寸	Jack	082820
ITEM NO.	DESCRIPTION	DRAWN	DATE